


Product Summary


Service trolleys has been designed to solve the many problems associated with the Transport range which has been solidly built using high quality materials. The range consists of 3 models with handles, of varying sizes with 3 shelves.




TCF SERVICE TROLLEY

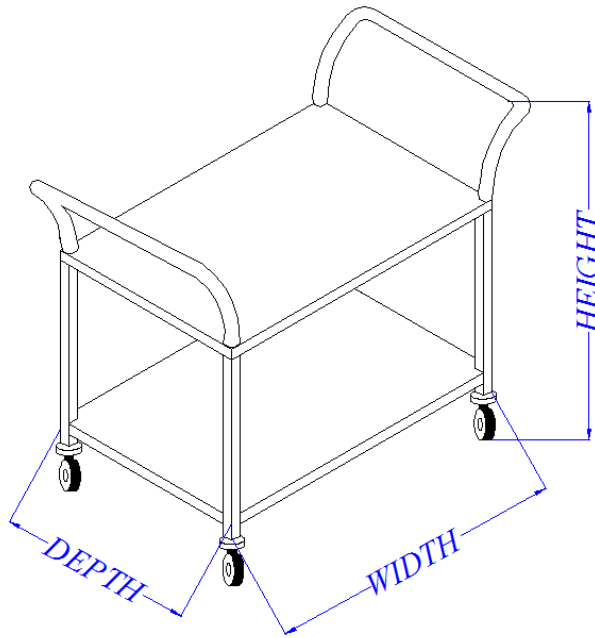
Technical Custom Fabrication Product Description

 The load bearing frame is in 25 mm diameter round section 304 AISI stainless steel tubing, completely welded (the trolleys are delivered already assembled).

 The shelves are in 304 AISI stainless steel welded to the frame with double-folded edges to guarantee strength and stability of the load. The maximum load is 50 kg uniformly distributed.

 The strong, ergonomic handle is an extension of the load bearing frame.

 4 swiveling castors (2 with brakes).



Notes: Can be order in 3 Shelves with different Sizes as required..

TECHNICAL DATA

Length	Depth	Height
1000	500	1000

All measurements are in mm



The Technical Company

P.O. Box 5090 Safat, 13051 Kuwait -Tel: +965-1800771 Fax: +965-24848310

E-mail: info@alqudaibi.com – Website: www.alqudaibi.com

A Subsidiary of QDB Holding

