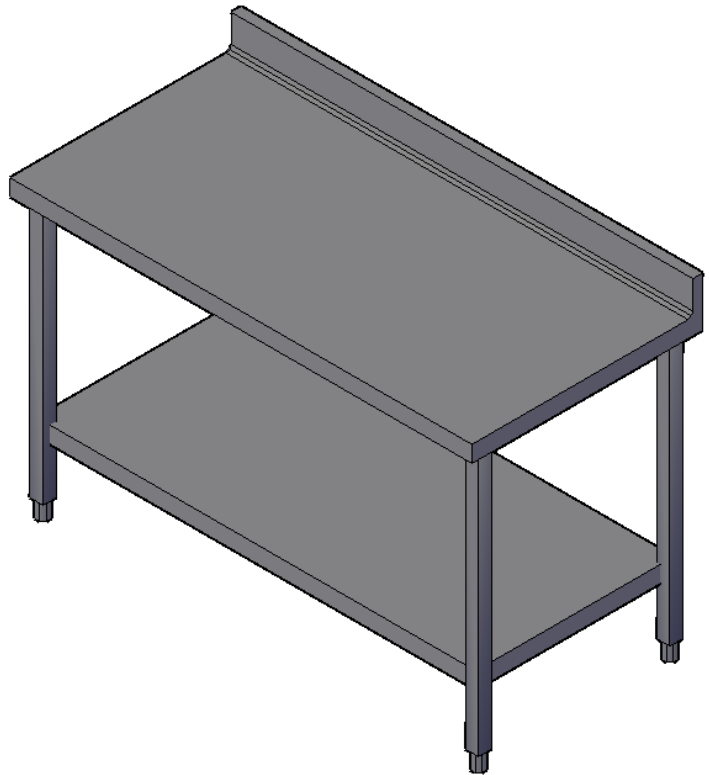


## RANGE COMPOSITION







Model consists of different sizes, varying in length from 1000 to 2000 mm.

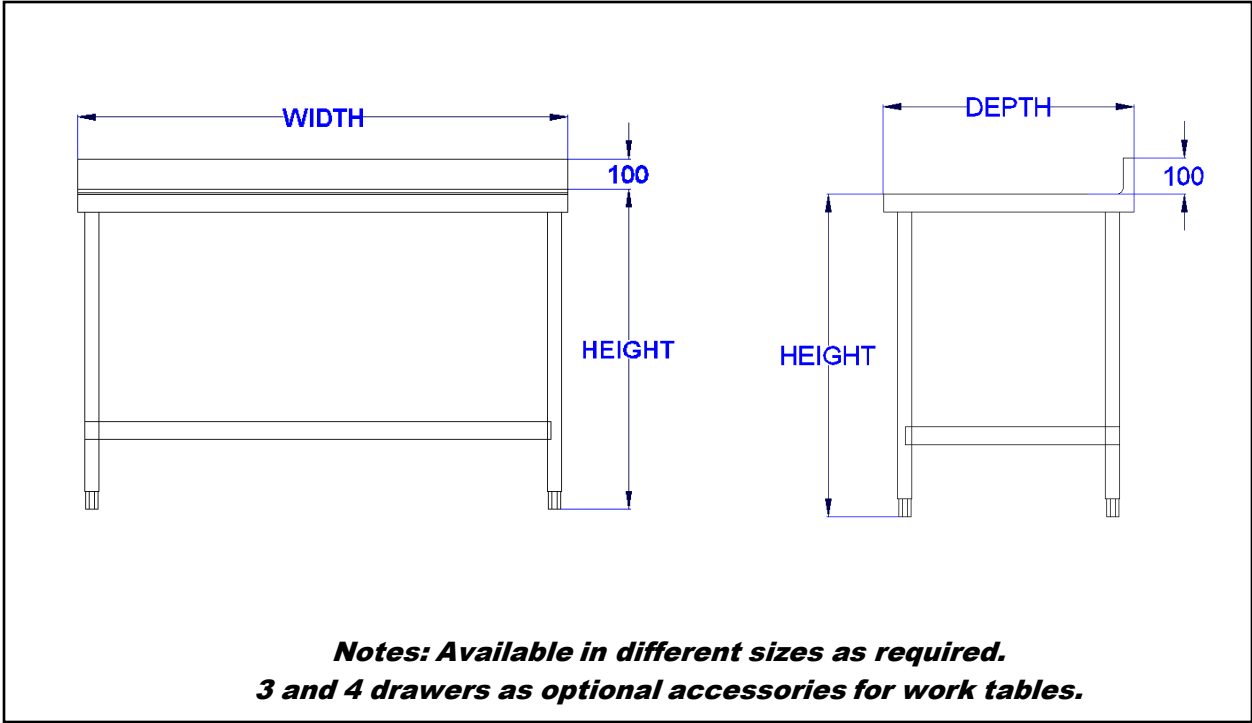


## WORK TABLES WITH UPSTAND

**1000/2000mm**

### Technical Custom Fabrication Product Description

-  The 40 mm high worktop in 304 AISI stainless steel, incorporates a layer of sound deadening material, has upturned edges to protect the kitchen worker.
-  Square section legs and 1" height-adjustable feet (40 mm) in 304 AISI stainless steel to allow perfect alignment with other food preparation equipment.
-  All work tables can be fitted, as optional extras, with a single drawer either 400 or 600 mm wide, a chest of 3 and 4 drawers either 400 or 600 mm wide, a lower shelf or a three sided under frame and set of castors as an option to the feet.
-  The drawers, in 304 AISI stainless steel with a one-piece interior and rounded corners for greater hygiene and ease of cleaning,
-  The lower shelf, 40 mm in thickness, slots easily into place, without the use of tools, at a height of 100 mm to 150mm from the floor. Smooth shelves are normally supplied, perforated ones are available on Request. For installation of the chest of drawers the lower shelf must be ordered as well.
-  All models comply with standards as far as hygiene and cleanability are concerned.



<b>TECHNICAL DATA</b>			
<b>WIDTH</b>	<b>DEPTH</b>	<b>HEIGHT</b>	<b>REAR UPSTAND</b> (AVAILABLE IN ANY SIZE)
1000	700	850	100
1100	700	850	100
1200	700	850	100
1300	700	850	100
1400	700	850	100
1500	700	850	100
1600	700	850	100
1800	700	850	100
2000	700	850	100
<i>All measurements are in mm</i>			



**The Technical Company**

P.O. Box 5090 Safat, 13051 Kuwait -Tel: +965-1800771 Fax: +965-24848310  
E-mail: info@alqudaibi.com – Website: www.alqudaibi.com

*A Subsidiary of QDB Holding*



*The Company reserves the right to alter any technical specifications without prior notice.*