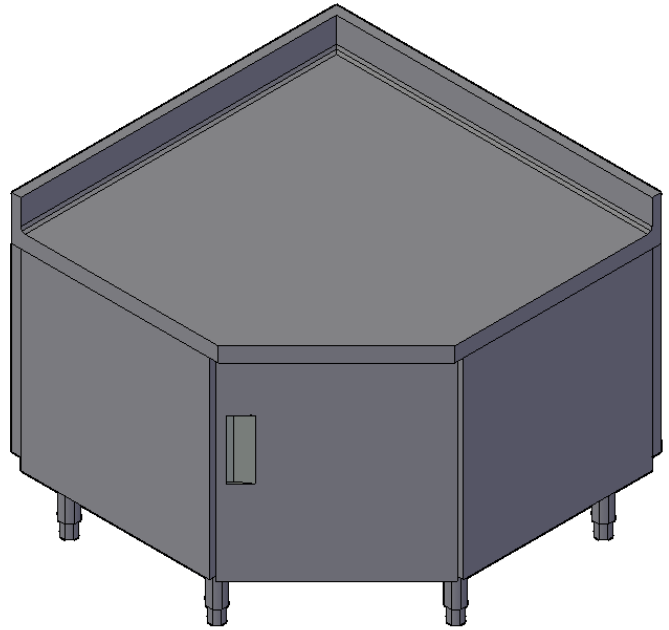


Product Summary

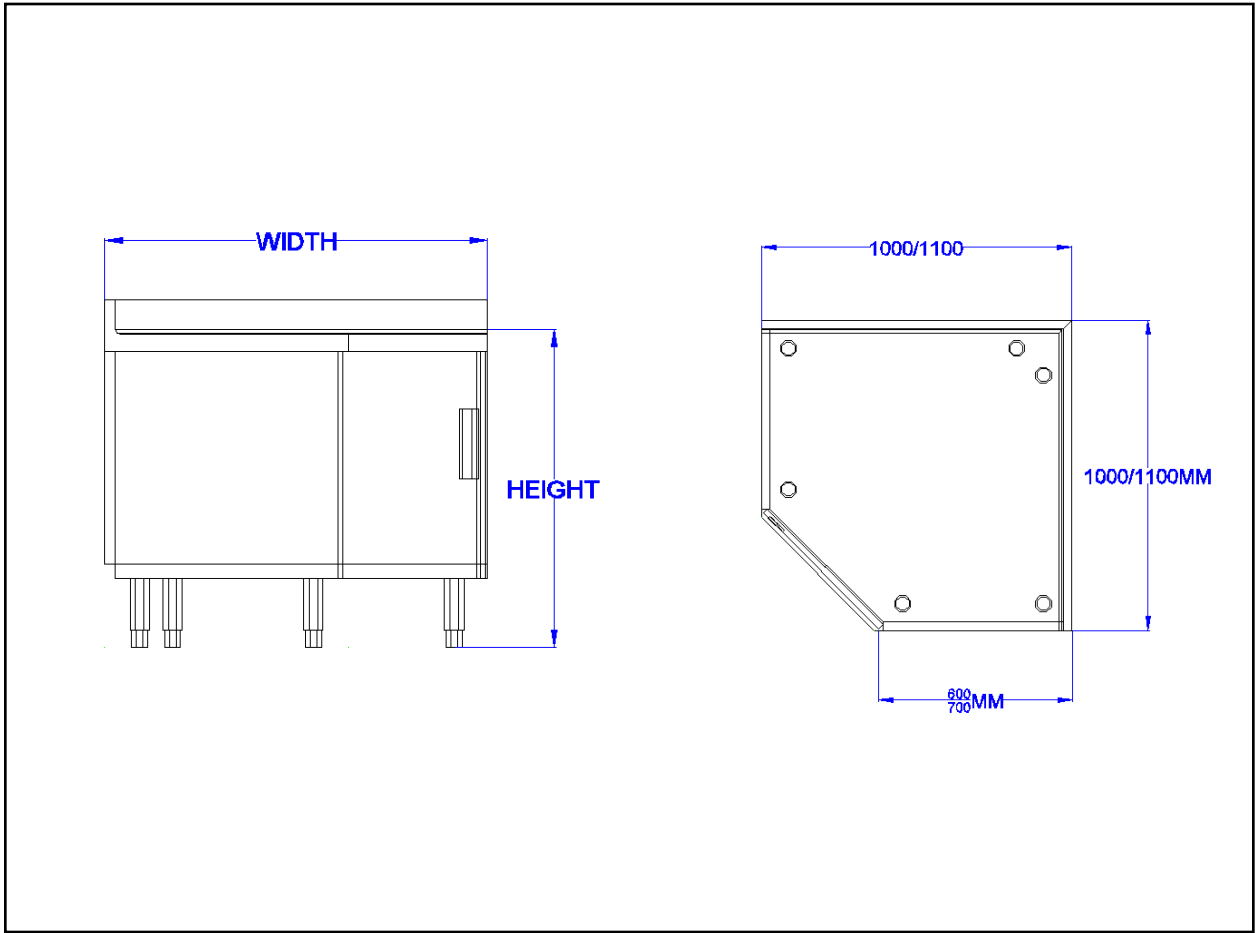
This model is composed of two sizes only: 700 Series - 1100x1100mm and, 600 Series - 1000x1000mm, with a hinged door and two splash backs. The inner space is useful for storing crockery and other kitchen utensils.



WORKTOP CORNER CUPBOARDS WITH UPSTAND

Technical Custom Fabrication Product Description

- ☑ Made entirely from stainless steel with argon welded construction for maximum strength.
- ☑ Inner welded frame in stainless steel to guarantee superior strength and stability.
- ☑ Splashback with 100 mm high, designed to be used against a wall.
- ☑ The 40 mm high worktop in 304 AISI stainless steel, and incorporates a layer of sound deadening water-proof material, has upturned edges to protect the kitchen worker.
- ☑ Side and base panel in 304 AISI stainless steel.
- ☑ The worktop cupboards are equipped with an intermediate shelf that can be positioned at three different heights.
- ☑ The sound-deadened sturdy sliding doors and hinged doors in 304 AISI stainless steel
- ☑ Easy access to the cupboard interior on all lengths
- ☑ All panel edges are upturned to guarantee the safety of the kitchen worker.
- ☑ 100 to 150 mm high AISI 304 stainless steel feet, 40mm in diameter for round legs and 40x40mm for square legs adjustable as required on site.
- ☑ All models comply with standards as far as hygiene and cleanability are concerned.
- ☑ Other option can be obtained as per requirements.



TECHNICAL DATA

WIDTH	DEPTH	HEIGHT	REAR UPSTAND (AVAILABLE IN ANY SIZE)	REMARKS
1000	600	850	100	1 Door
1100	700	850	100	1 Door

All measurements are in mm



The Technical Company

P.O. Box 5090 Safat, 13051 Kuwait -Tel: +965-1800771 Fax: +965-24848310

E-mail: info@alqudaibi.com – Website: www.alqudaibi.com

A Subsidiary of QDB Holding

